
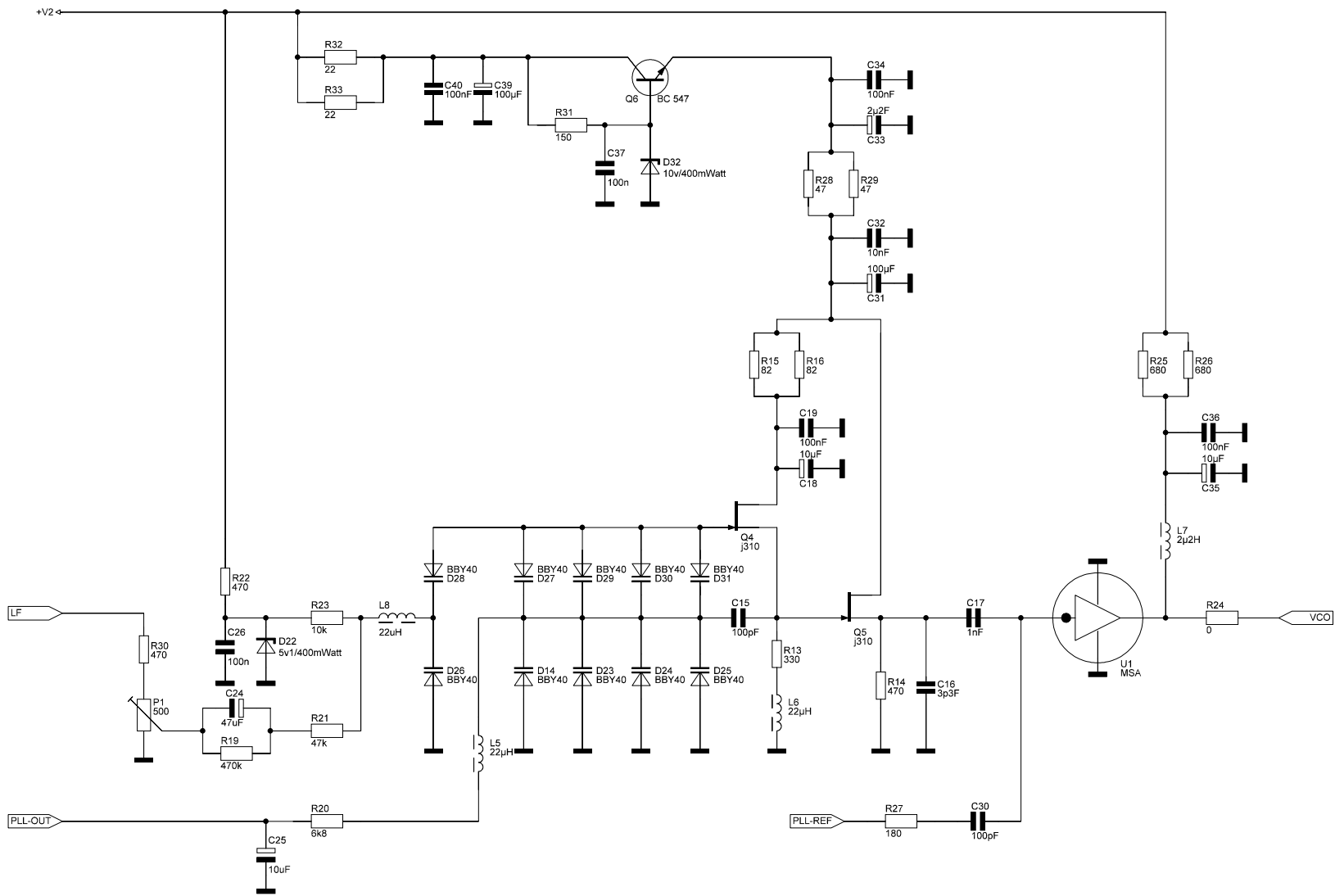


Changes		Drawing		acc.		CompanyLogo	
Name	Date	Name	Date	Name	Datum		
H. Slot	05-02-2012	H. Slot	24-01-2012	H. Slot	24-01-2012		
Filename:	PKBee NT15W 2011v1.spl7		Norm:	n/a	Norm:	n/a	

Description	Page
PKBee NT 15Watt Transmitter Part : PLL-Unit	2
Drawings No.:	of
PCB : PKBee NT 15Watt 2011v1	4



Changes

Drawing

acc.

CompanyLogo

Description

Page

Name	Date

Name	Date
H. Slot	24-01-2012

Name	Datum
H. Slot	24-01-2012

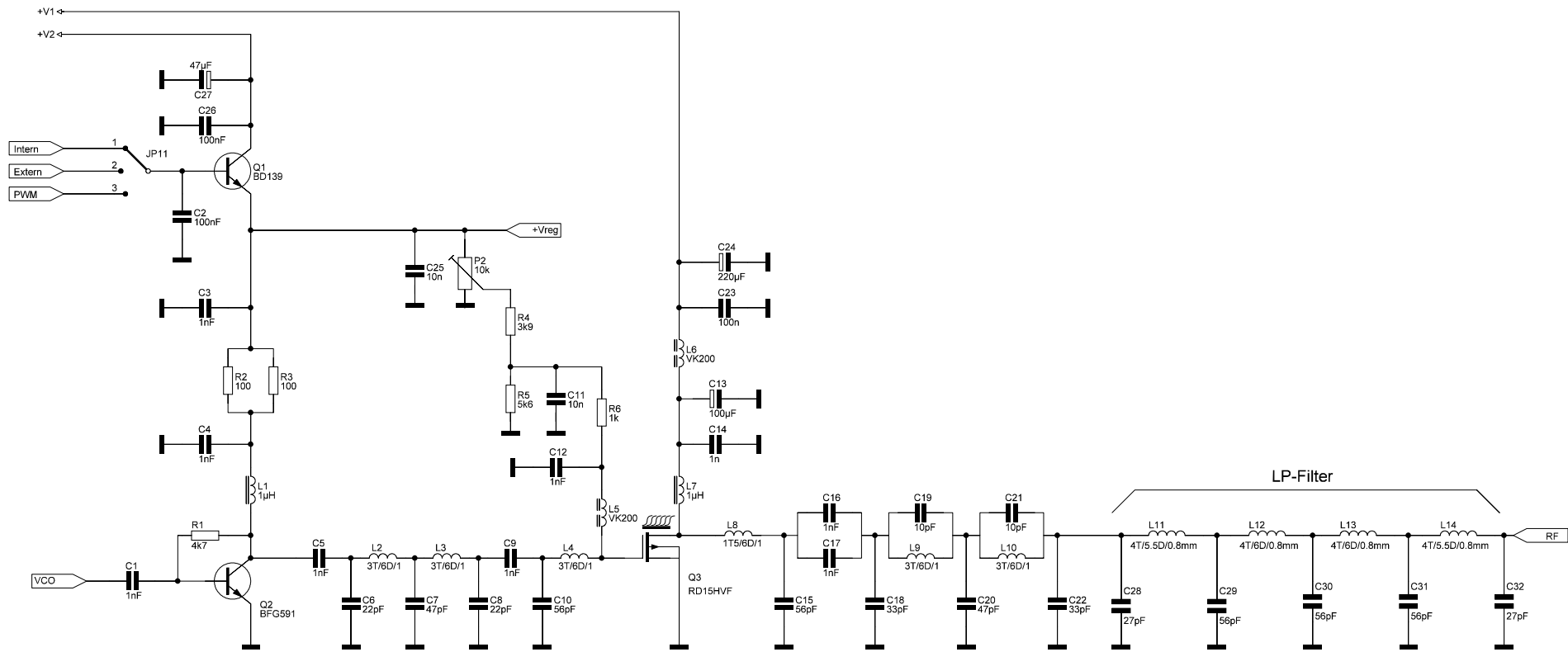



PKBee NT 15Watt Transmitter
Part : VCO

Drawings No.:
PCB : PKBee NT 15Watt 2011v1

3
of
4

Filename: PKBee NT15W 2011v1.spl7



Changes		Drawing		acc.		CompanyLogo	
Name	Date	Name	Date	Name	Datum		
H. Slot	29-01-2012	H. Slot	24-01-2012	H. Slot	24-01-2012		
Filename:	PKBee NT15W 2011v1.spl7						

Description	Page
PKBee NT 15Watt Transmitter Part : Endstage	4
Drawings No.: PCB : PKBee NT 15Watt 2011v1	of
	4